



enjoy the view



Vista

Collaborative robot for minimally invasive surgery

Robotically controlled camera holder

Offering the benefits of robotic precision and control for all laparoscopic surgery, while delivering improved patient outcomes by mastering your vision in a cost-effective way.



Indicator Unit

Indicates the selected direction for camera movement.



Headset

Selects the direction in which the surgeon wants the camera to move.



Pedal

Activates movement.



Applicable to a wide range of surgeries



General



Gynaecology



Urology



Thoracic

Real benefits in the operating room

3

Reducing surgical TIME

By up to 20%

4

Optimising ERGONOMICS

For Surgeon and OR team.

2

Increasing surgeon CONTROL

Direct control of the scope

1

Mastering surgeon VISION

Delivers a stable and tremor free image.



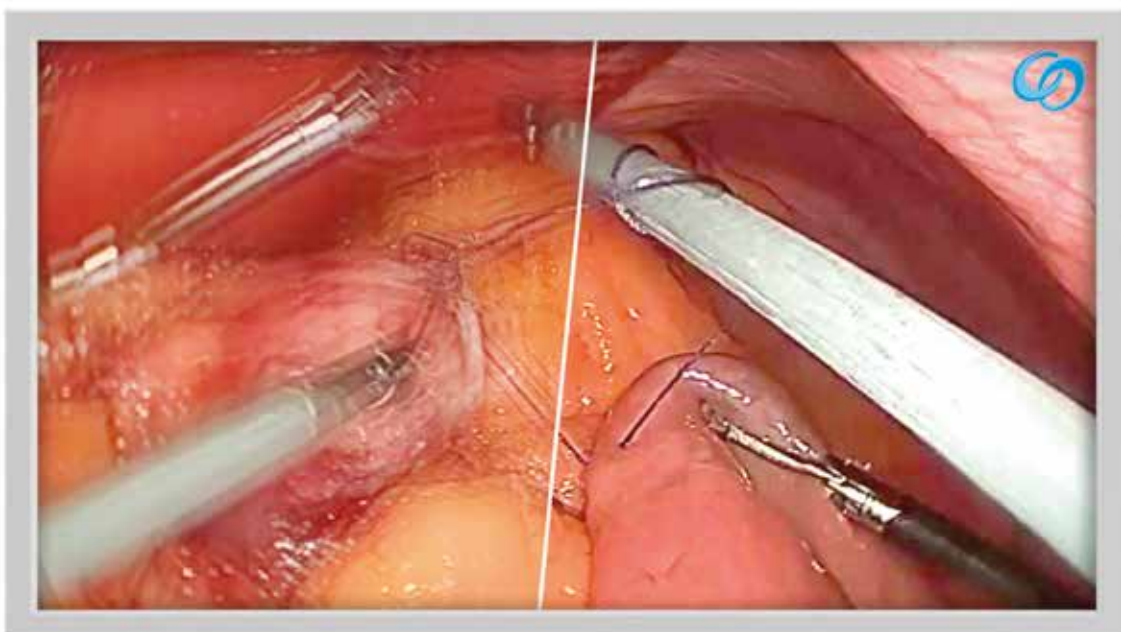
5

Increasing SAFETY for team and patient

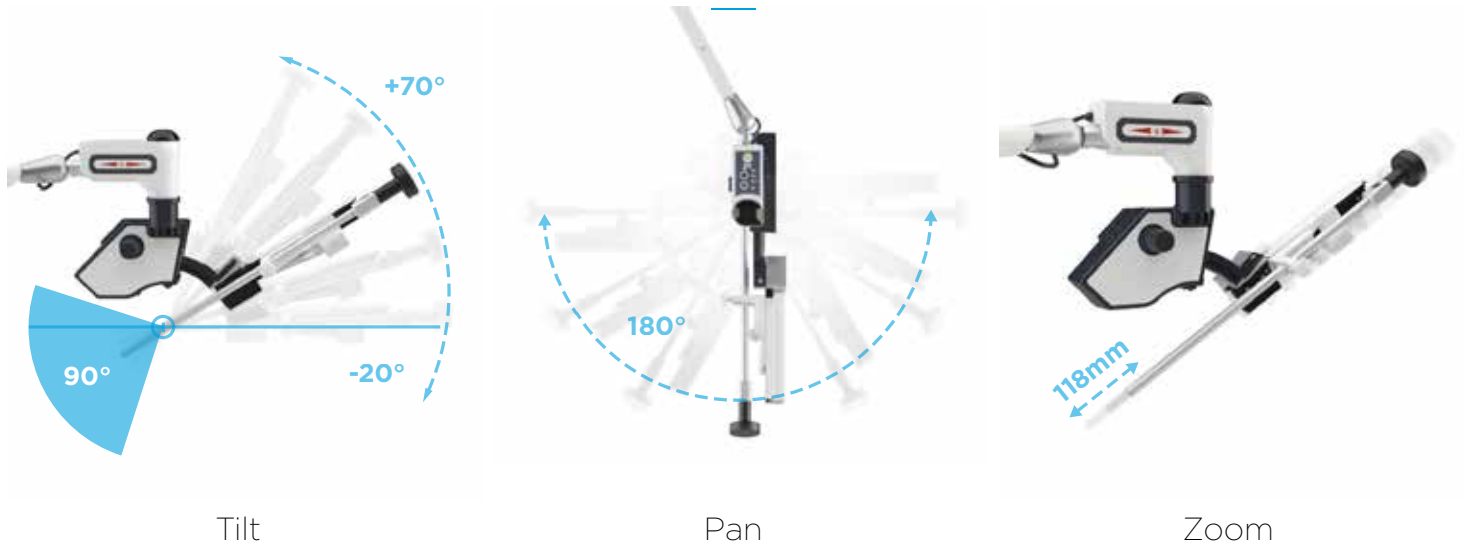
Reduces risk of cross infection & permits social distancing.

As well as improved outcomes, a short learning curve and being cost effective.

FreeHand delivers a stable tremor free image



Improved range of vision



Parts & references

DESCRIPTION	PART NUMBER
FreeHand <i>Vista</i>	STDS-X-0113
Sterile Patient Pack (Contains 10x sterile zoom modules + 12x sterile sleeves)	STDS-X-0110
Mobile storage cart for O.R.	STDS-X-0027

For more information please contact :
info@freehandsurgeon.com



www.freehandsurgeon.com

Freehand 2010 Ltd | Unit-2 Weyvern Park | Portsmouth Road | Peasmarsh | Guildford
GU3 1NA | United Kingdom | Tel: +44 (0) 1483 408720 | Fax: +44 (0) 1483 452690